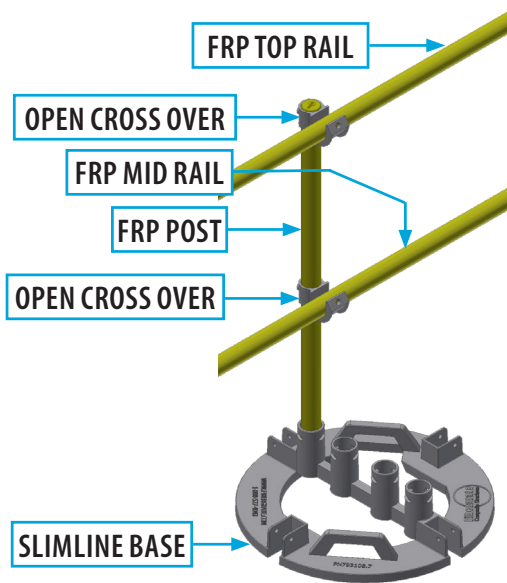


PRODUCT DATA SHEET

DYNAROUND RG (ROOF GUARD) SLIMLINE™



Fibergate's new ballasted rooftop guardrail system, DynaRound RG Slimline™, provides safety and fall protection on rooftop applications. While our RG system utilizes counter balance bases, the Slimline systems uses both counterbalance bases in addition to circular galvanized bases with less interference. Similar to our DynaRound RG system, each Slimline system is made of durable, weather-resistant fiberglass reinforced plastic (FRP) composite uprights and rails, galvanized steel base weights, and galvanized connector components. This system meets applicable safety standards in the U.S. and Canada to protect people working at heights.



DynaRound RG Slimline provides the utmost in safety by protecting against injuries or death from accidental falls from the roof. The weighted base system means there is no drilling into the roof to attach the system. This eliminates any damage to the roof that could result from the drilling, including potential sources of leaks.

BENEFITS



Lightweight: Fibergate FRP products lessen impact on rooftop installations, reduce installation time, can eliminate the need for heavy lifting equipment, and reduce shipping costs.



Long Service Life: Fiberglass products provide outstanding durability and corrosion resistance in demanding applications, providing improved product life over traditional materials.



UV Resistant: UV Inhibitors in the resin matrix, along with a synthetic surfacing veil, provide optimum protection from the effect of UV weathering. In addition, the FRP rails, posts, and outriggers have an additional UV coating suitable for intense UV exposure.



Low Install Cost: Prefabricated FRP components and connectors using set screws for assembly eliminate drilling and almost all field cutting for a rapid, clean installation.



Corrosion Resistant: Fibergate® fiberglass products are known for their ability to provide corrosion resistance in the harshest environments.



Low Maintenance: The corrosion resistant properties of FRP are easy to clean and reduce or eliminate the need for sandblasting, scraping and painting.

SPECIFICATIONS

Safety Ratings

OSHA Requirements:

- 1926.501(b)(1)
- 1926.502(b)
- 1910.28(b)(1)
- 1910.29(b)

CAL/OSHA Requirements:

- 3210
- 3212
- 1620
- 3209

IBC 2018 Requirements:

- 1015.3
- 1015.4.4
- 1015.7
- 1607.8.1 - (Modified system required)
- 1607.8.1.1
- 1607.8.1.2

National Building Code of Canada 2015

- 4.1.5.14
- 9.8.8.2

OH&S

- R.R.O. 1990, Reg. 851, s. 13 & 14

Materials of Construction

Rails, posts, and outriggers:

- VEFr (Vinyl ester resin system with a flame spread of 25 or less for dependable resistance to both acidic and alkaline environments)

Fittings and Base Weights:

- Galvanized, cast iron connectors with set screws
- Protective, durable rubber pads on parts that contact roof surface

Size

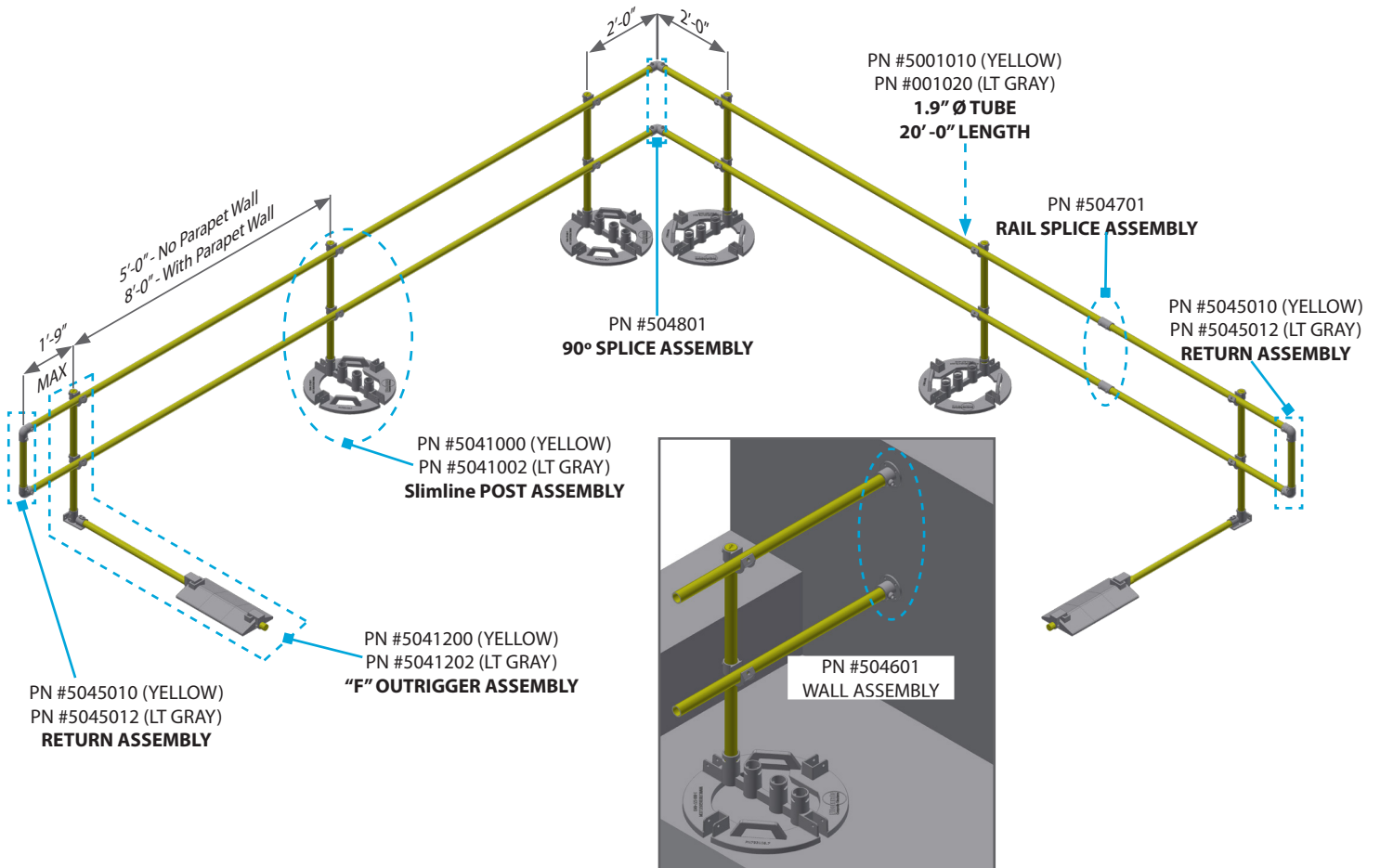
- 1.9" O.D. Pultruded Round Tube

Colors

Yellow with UV Coating

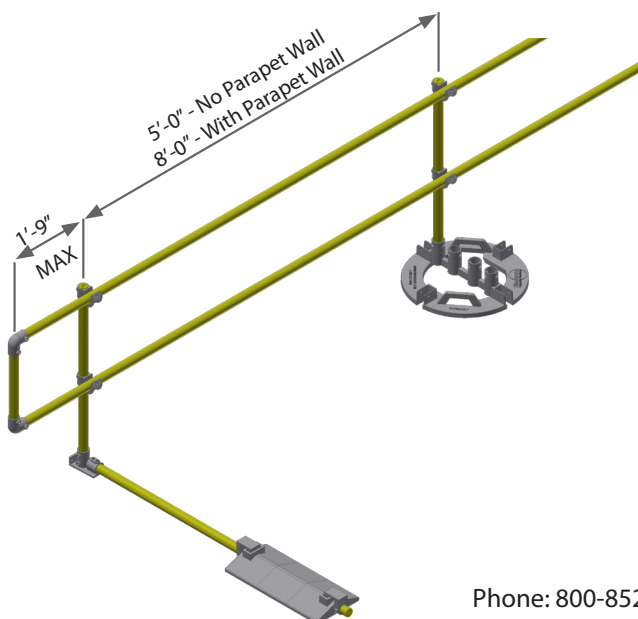
Light Gray with UV Coating

SYSTEM COMPONENTS



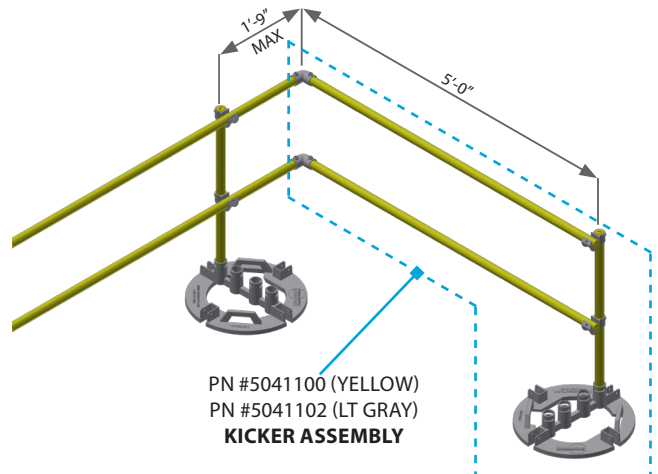
TYPICAL SPACING FOR ASSEMBLIES

RETURN CONDITION



KICKER ASSEMBLY

(A kicker assembly can be used as an alternative to the standard "F" outrigger.)



ASSEMBLY DETAILS

DynaRound SL Post Assembly, Yellow
ITEM #5041000
Weight = 97 lbs

DESCRIPTION	QTY	PN #
DynaRound SL Post - YL	1	5041610
Open Cross Over	2	793201
Lock Pin	1	793108.2
DynaRound SL Base	1	793108.7

DynaRound SL Post Assembly, LT GRAY
ITEM #5041002
Weight = 97 lbs

DESCRIPTION	QTY	PN #
DynaRound SL Post - GR	1	5041612
Open Cross Over	2	793201
Lock Pin	1	793108.2
DynaRound SL Base	1	793108.7

DynaRound SL Kicker Assembly, Yellow
ITEM #5041100
Weight = 110 lbs

DESCRIPTION	QTY	PN #
DynaRound SL Post - YL	1	5041610
Open Cross Over	2	793201
Lock Pin	1	793108.2
DynaRound SL Base	1	793108.7
Two Way Elbow	2	793125
DynaRound SL Kicker Rail - YL	2	5041710

DynaRound SL Kicker Assembly, LT GRAY
ITEM #5041102
Weight = 110 lbs

DESCRIPTION	QTY	PN #
DynaRound SL Post - LG	1	5041612
Open Cross Over	2	793201
Lock Pin	1	793108.2
DynaRound SL Base	1	793108.7
Two Way Elbow	2	793125
DynaRound SL Kicker Rail - LG	2	5041712

DynaRound SL 'F' Outrigger Assy, Yellow
ITEM #5041200
Weight = 148 lbs

DESCRIPTION	QTY	PN #
DynaRound RG Post - YL	1	5040010
Open Cross Over	2	793201
Slipper	1	793206
Roof	3	793208
Special Hook	2	793207
F Outrigger (L = 70") - YL	1	5046110

DynaRound SL 'F' Outrigger Assy, LT GRAY
ITEM #5041202
Weight = 148 lbs

DESCRIPTION	QTY	PN #
DynaRound RG Post - LG	1	5040012
Open Cross Over	2	793201
Slipper	1	793206
Roof	3	793208
Special Hook	2	793207
F Outrigger (L = 70") - LG	1	5046112

Swivel Elbow Assembly
ITEM #504802
Weight = 4 lbs

DESCRIPTION	QTY	PN #
Swivel Elbow	2	793126

WALL ASSEMBLY
ITEM #504601
Weight = 4 lbs

DESCRIPTION	QTY	PN #
Base Flange	2	793131

RAIL SPLICE ASSEMBLY
ITEM #504701
Weight = 3 lbs

DESCRIPTION	QTY	PN #
Sleeve Joint	2	793149

90° SPLICE ASSEMBLY
ITEM #504801
Weight = 4 lbs

DESCRIPTION	QTY	PN #
Two Way Elbow	2	793125

RETURN ASSEMBLY, Yellow
ITEM #5045010
Weight = 6 lbs

DESCRIPTION	QTY	PN #
Return (Length: 21-1/16")	1	5045110
Two Way Elbow	2	793125

RETURN ASSEMBLY, LT GRAY
ITEM #5045012
Weight = 6 lbs

DESCRIPTION	QTY	PN #
Return (Length: 21-1/16")	1	5045112
Two Way Elbow	2	793125

